

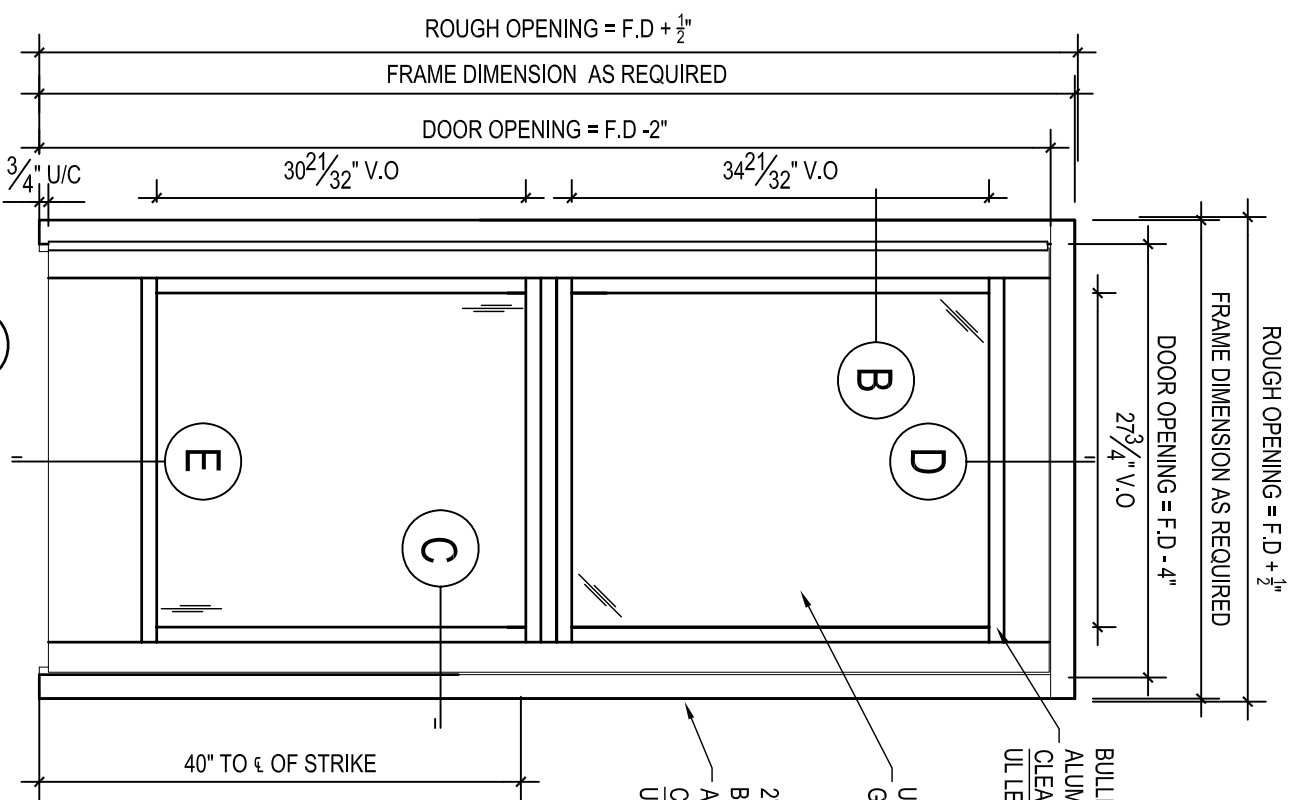
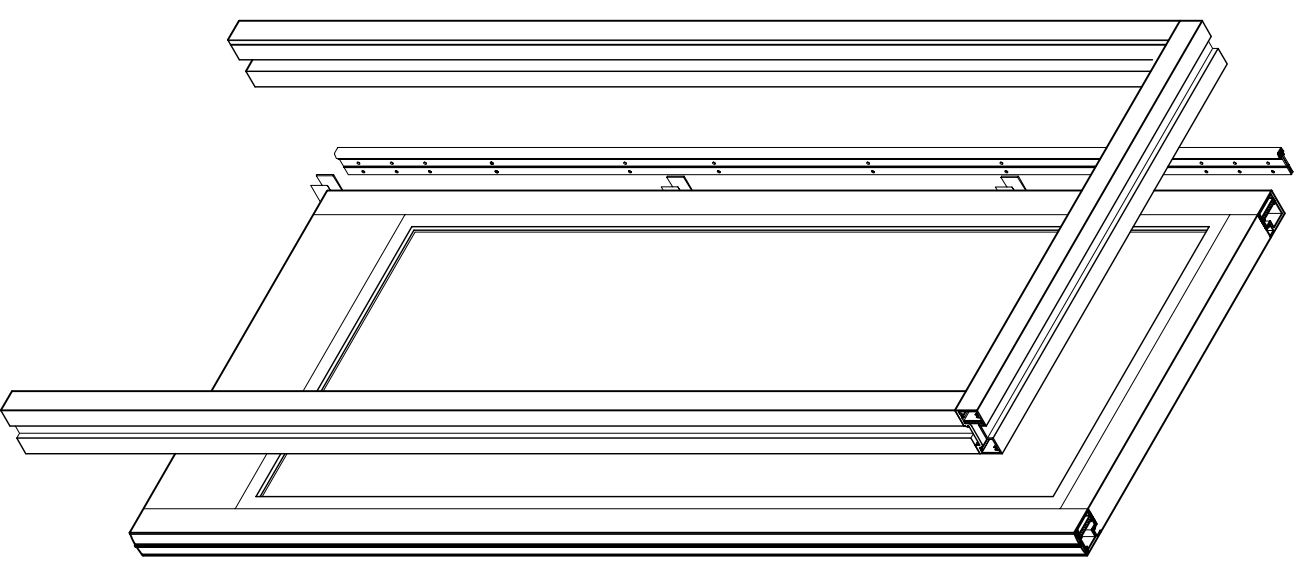
ALL RIGHTS RESERVED:

THIS DRAWING IS THE PROPERTY OF NORTH AMERICAN BULLET PROOF AND SHALL NOT BE REPRODUCED IN WHOLE OR PART. IT SHALL NOT BE USED FOR CONSTRUCTION OF OTHER THAN THE SPECIFIED PROJECT WITHOUT WRITTEN PERMISSION OF NORTH AMERICAN BULLET PROOF.

COMMENTS:

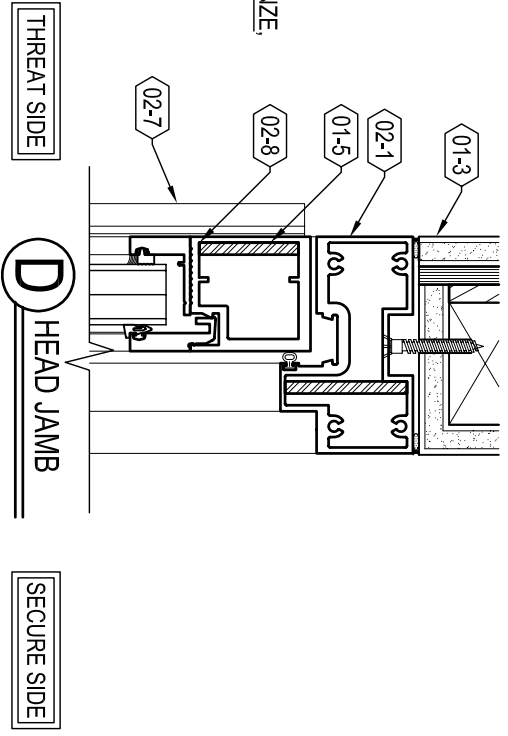
KEYNOTES:

- ◊02-1 2" x 4-1/2" ALUM., BOLT-IN DOORFRAME: CLEAR OR DARK BRONZE; UL LEVEL 1
- ◊02-7 CONTINUOUS -GEAR HINGE WITH SECURITY PINS
- ◊02-8 ALUMINUM HALF VISION DOOR; UL LEVEL 1
- ◊01-3 TYPICAL WALL CONSTRUCTION (BY OTHERS)
- ◊01-4 ANCHOR, AS REQUIRED (BY OTHERS)
- ◊01-5 BULLET RESISTANT ARMOR, UL LEVEL 1 (WHERE REQUIRED)

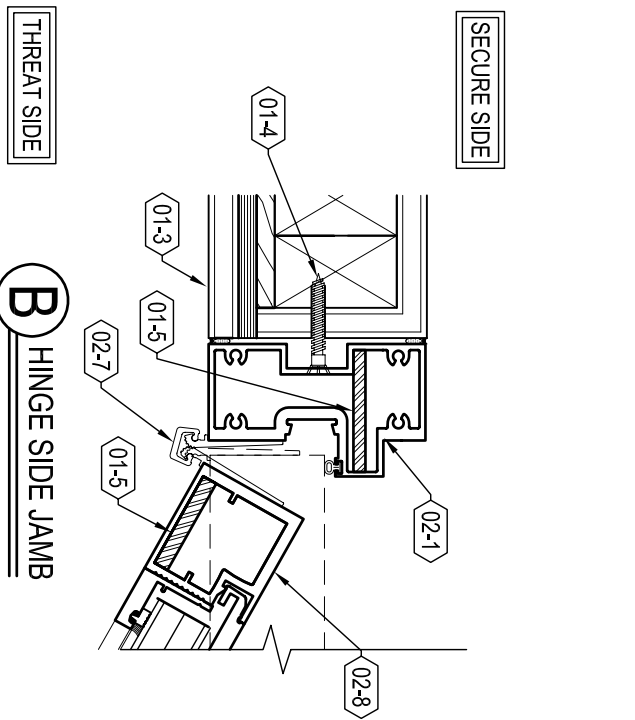


A ELEVATION/PLAN

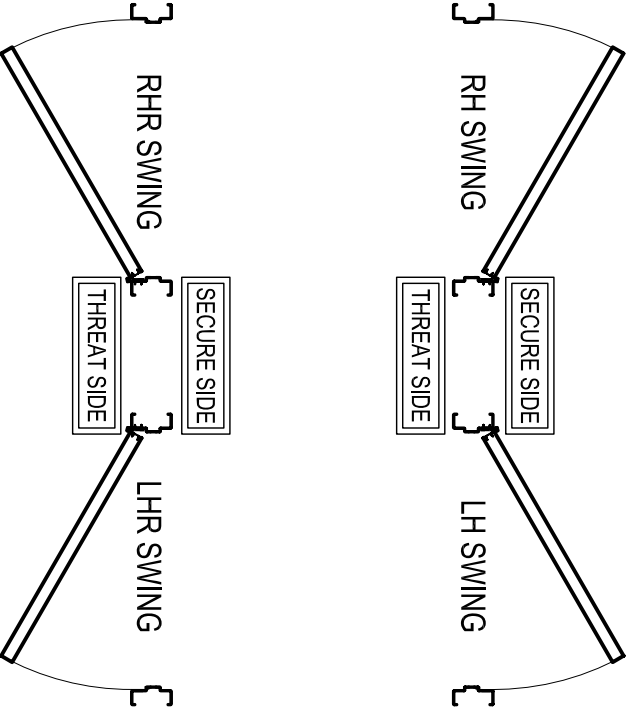
ROUGH OPENING = F.D. + 1/2"
FRAME DIMENSION AS REQUIRED
DOOR OPENING = F.D. - 2"
27 3/4" V.O.
BULLET-RESISTANT ALUMINUM DOOR, CLEAR OR DARK BRONZE
UL LEVEL 1
UL LEVEL 1
GLAZING
2" x 4 1/2" BOLT-IN, BULLET-RESISTANT ALUMINUM FRAME CLEAR OR DARK BRONZE, UL LEVEL 1
40" TO ̵ OF STRIKE



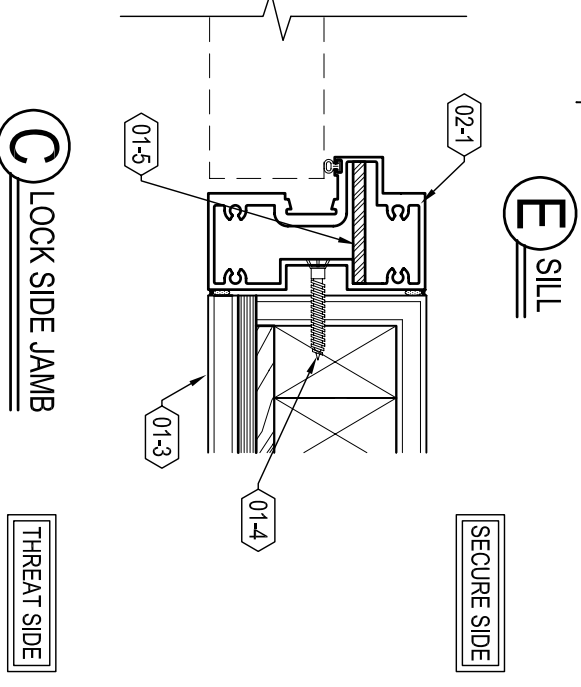
D HEAD JAMB



B HINGE SIDE JAMB



E SILL



C LOCK SIDE JAMB

ADR1-HV-BF