

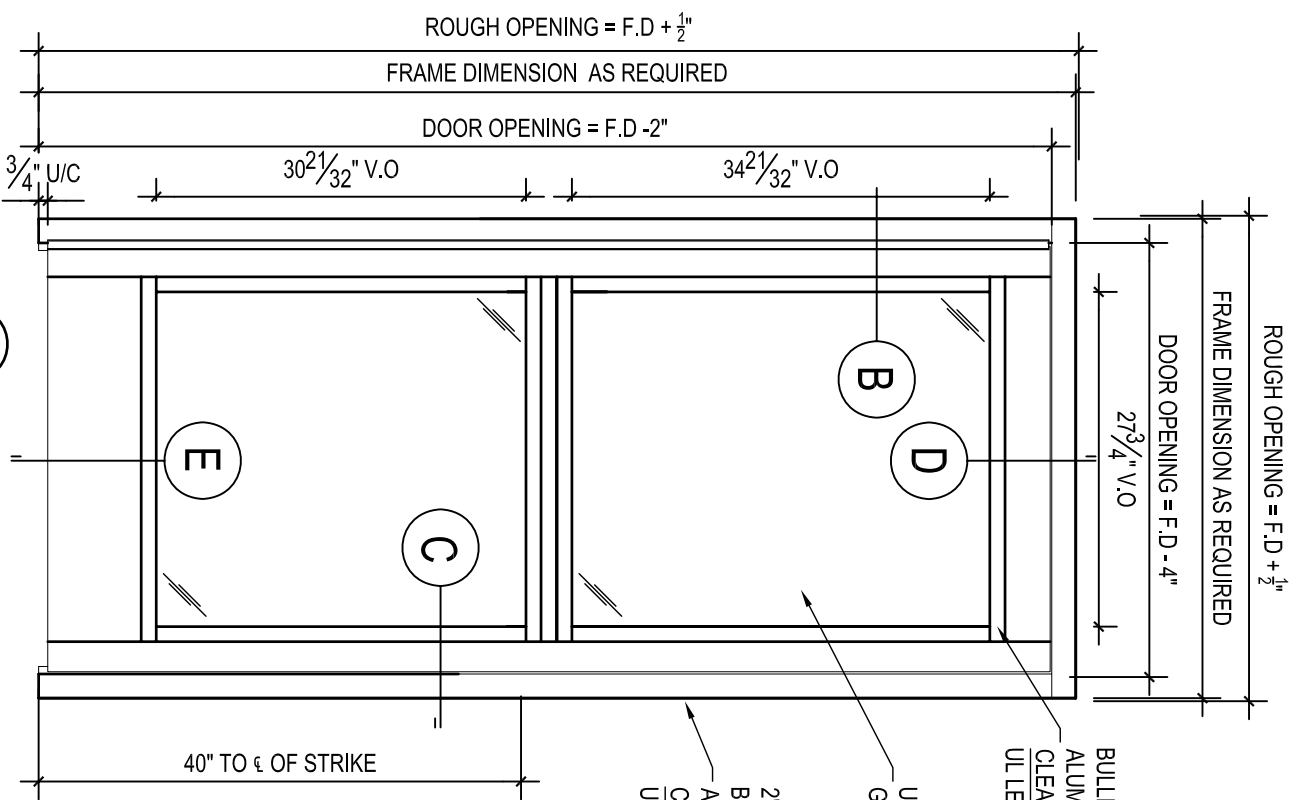
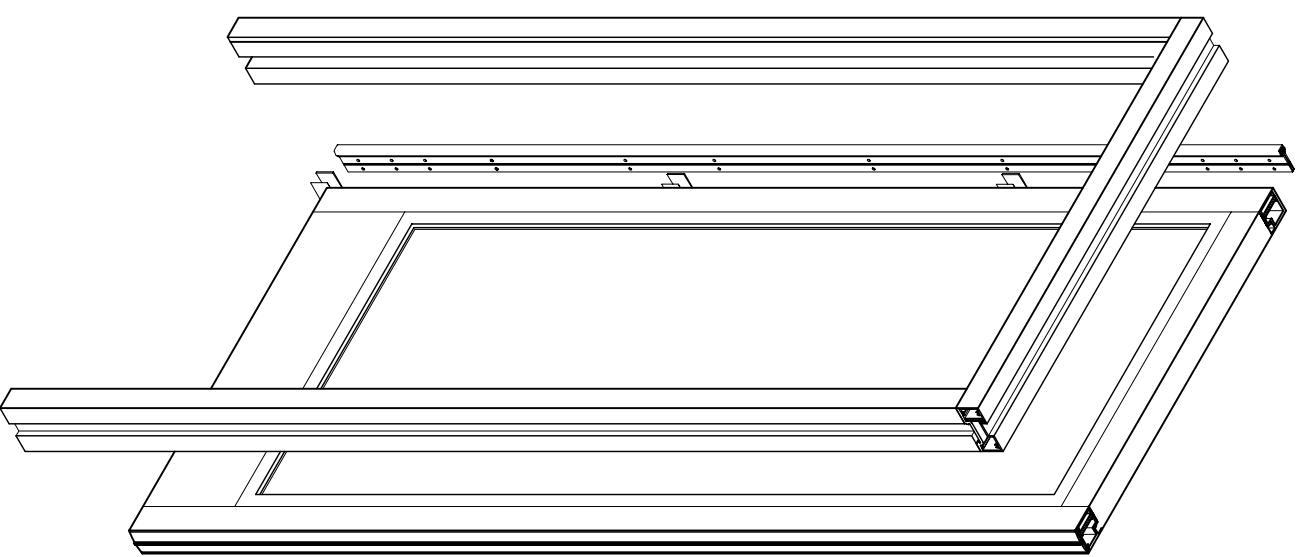
ALL RIGHTS RESERVED:

THIS DRAWING IS THE PROPERTY OF NORTH AMERICAN BULLET PROOF AND SHALL NOT BE REPRODUCED IN WHOLE OR PART. IT SHALL NOT BE USED FOR CONSTRUCTION OF OTHER THAN THE SPECIFIED PROJECT WITHOUT WRITTEN PERMISSION OF NORTH AMERICAN BULLET PROOF.

COMMENTS:

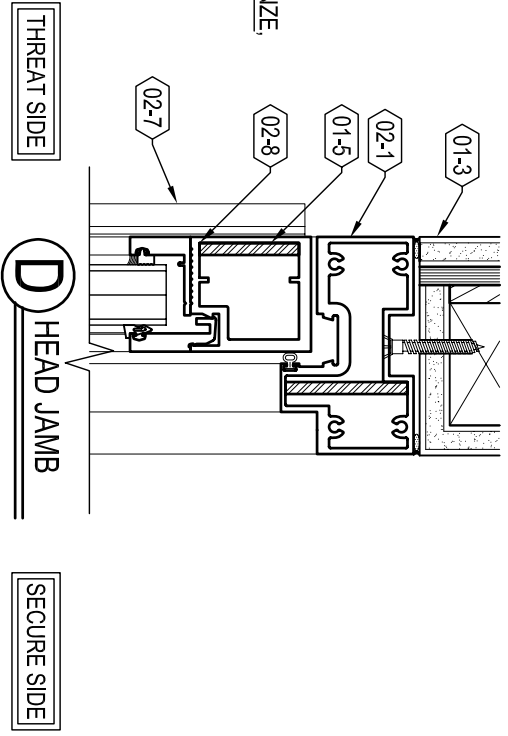
**KEYNOTES:**

- ◊02-1 2" x 4-1/2" ALUM., BOLT-IN DOORFRAME: CLEAR OR DARK BRONZE; UL LEVEL 3
- ◊02-7 CONTINUOUS -GEAR HINGE WITH SECURITY PINS
- ◊02-8 ALUMINUM DOUBLE VISION DOOR: UL LEVEL 3
- ◊01-3 TYPICAL WALL CONSTRUCTION (BY OTHERS)
- ◊01-4 ANCHOR, AS REQUIRED (BY OTHERS)
- ◊01-5 BULLET RESISTANT ARMOR, UL LEVEL 3 (WHERE REQUIRED)



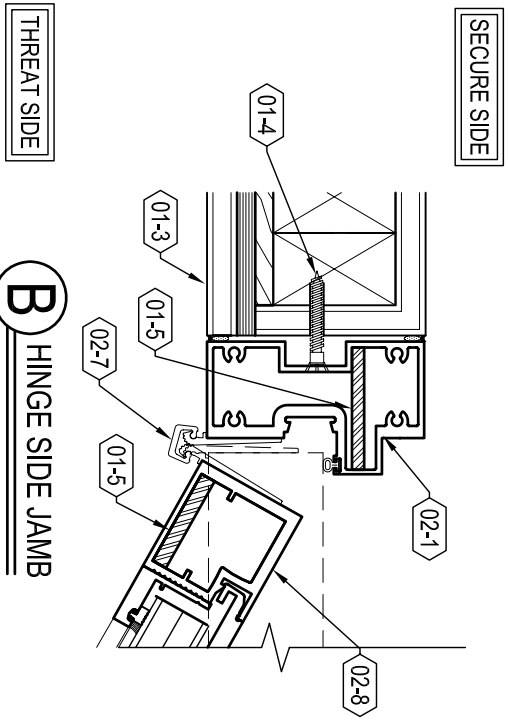
**A** ELEVATION/PLAN

BULLET-RESISTANT ALUMINUM DOOR, CLEAR OR DARK BRONZE  
UL LEVEL 3  
UL LEVEL 3  
GLAZING  
2" x 4 1/2" BOLT-IN, BULLET-RESISTANT ALUMINUM FRAME CLEAR OR DARK BRONZE, UL LEVEL 3



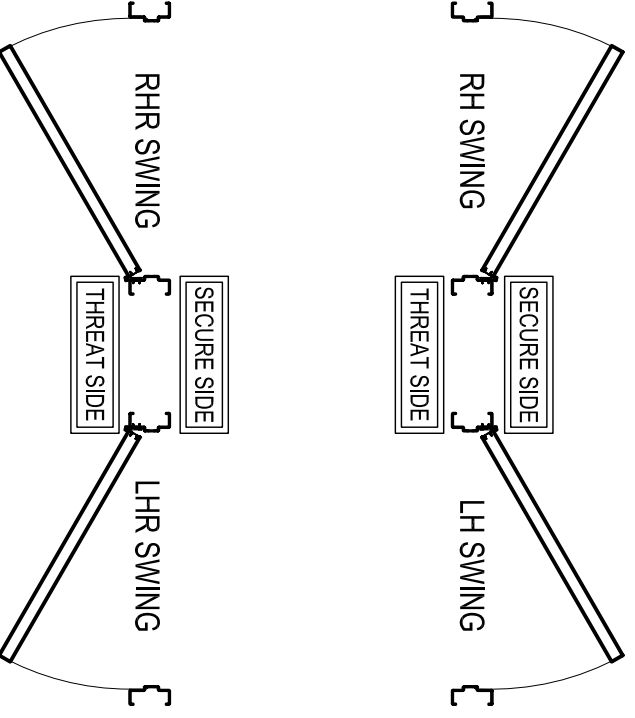
**D** HEAD JAMB

THREAT SIDE  
SECURE SIDE

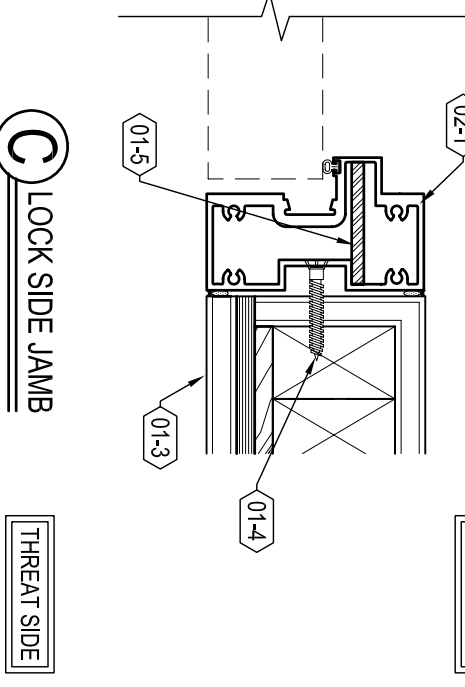
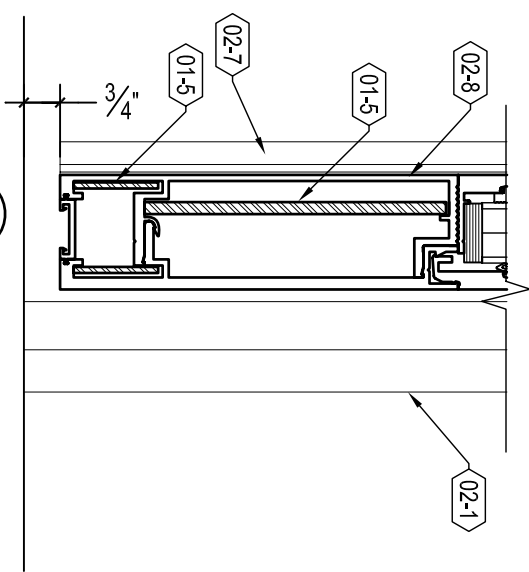


**B** HINGE SIDE JAMB

THREAT SIDE  
SECURE SIDE



**E** SILL



**C** LOCK SIDE JAMB

THREAT SIDE  
SECURE SIDE

ADR3-DV-BF