

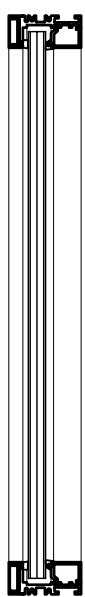
**KEYNOTES:**

- 03-1 2" x 4-1/2" ALUMINUM BOLT-IN FRAME; CLEAR OR DARK BRONZE; UL LEVEL 1
- 03-4 AGS 178 ALUMINUM STOP; CLEAR OR DARK BRONZE
- 03-14 UL LEVEL 1 GLAZING
- 03-18 EXTERIOR PUSH-IN GASKET
- 03-19 INTERIOR DRIVE-IN WEDGE
- 01-3 TYPICAL WALL CONSTRUCTION (BY OTHERS)
- 01-4 ANCHOR, AS REQUIRED (BY OTHERS)

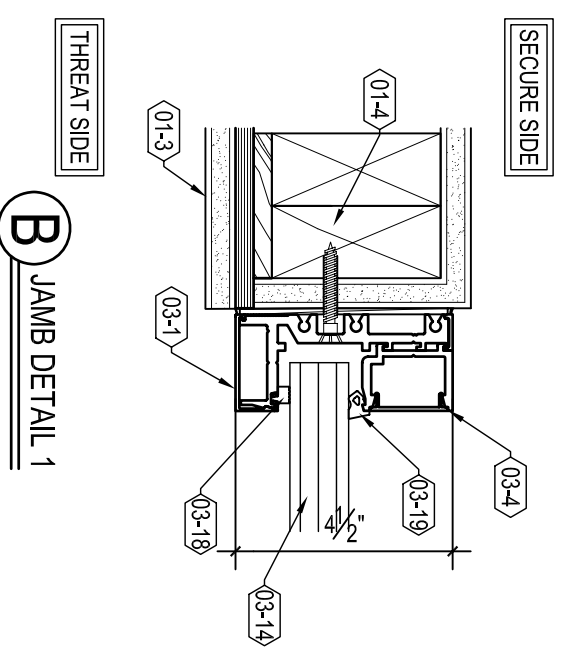
**NORTH AMERICAN BULLET PROOF**  
 NABP  
 P.O. BOX 628  
 106 GUADALUPE DRIVE  
 CIBOLO TX, 78108  
 PHONE # (210) 225-0982  
 FAX # (210) 225-0984  
 WEBSITE: www.nabulleproof.com

ALL RIGHTS RESERVED:  
 THIS DRAWING IS THE PROPERTY OF NORTH AMERICAN BULLET PROOF AND SHALL NOT BE REPRODUCED IN WHOLE OR PART. IT SHALL NOT BE USED FOR CONSTRUCTION OF OTHER THAN THE SPECIFIED PROJECT WITHOUT WRITTEN PERMISSION OF NORTH AMERICAN BULLET PROOF.

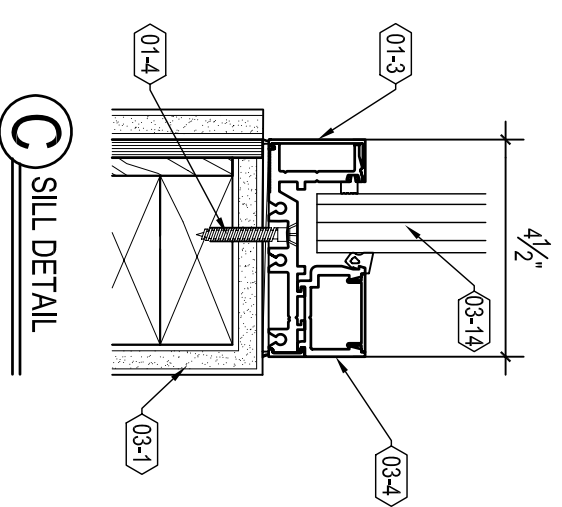
COMMENTS:



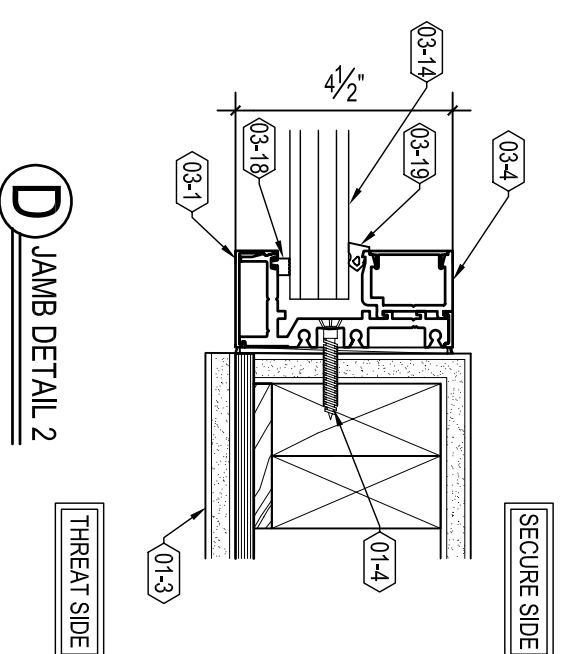
**A** ELEVATION/PLAN



**B** JAMB DETAIL 1



**C** SILL DETAIL



**D** JAMB DETAIL 2

EXVW1-A-BF