

KEYNOTES:

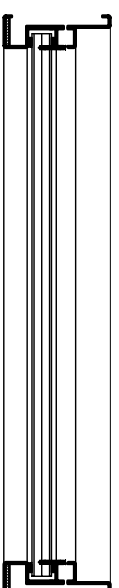
- 03-1 2" x 2" CLAMP FRAME: 14 GA. STAINLESS STEEL; UL LEVEL 3
- 03-4 1-1/4" x 1-1/4" REMOVABLE STOP: 12 GA. STAINLESS STEEL
- 03-14 UL LEVEL 3 GLAZING
- 03-17 GLAZING TAPE (SUPPLIED) AND SEALANT (BY OTHERS)
- 03-20 MOUNTING SCREW
- 01-3 TYPICAL WALL CONSTRUCTION (BY OTHERS)
- 01-4 ANCHOR, AS REQUIRED (BY OTHERS)
- 01-5 BULLET RESISTANT ARMOR: UL LEVEL 3 (WHERE REQUIRED)

NORTH AMERICAN
BULLET PROOF
NABP
P.O. BOX 628
106 GUADALUPE DRIVE
CIBOLO TX, 78108
PHONE # (210) 225-0982
FAX # (210) 225-0984
WEBSITE: www.nabulleproof.com

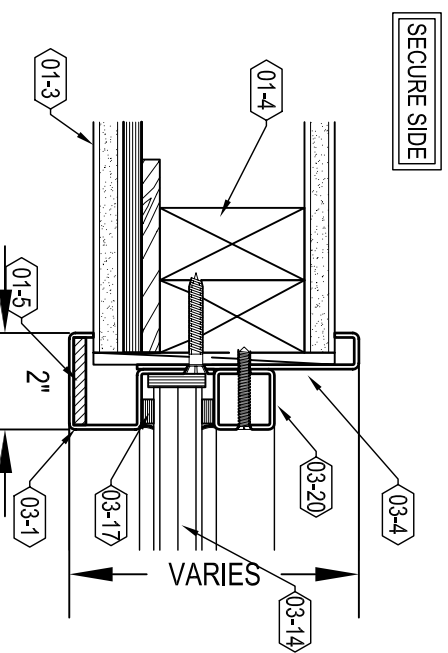
ALL RIGHTS RESERVED:

THIS DRAWING IS THE PROPERTY OF NORTH AMERICAN BULLET PROOF AND SHALL NOT BE REPRODUCED IN WHOLE OR PART. IT SHALL NOT BE USED FOR CONSTRUCTION OF OTHER THAN THE SPECIFIED PROJECT WITHOUT WRITTEN PERMISSION OF NORTH AMERICAN BULLET PROOF.

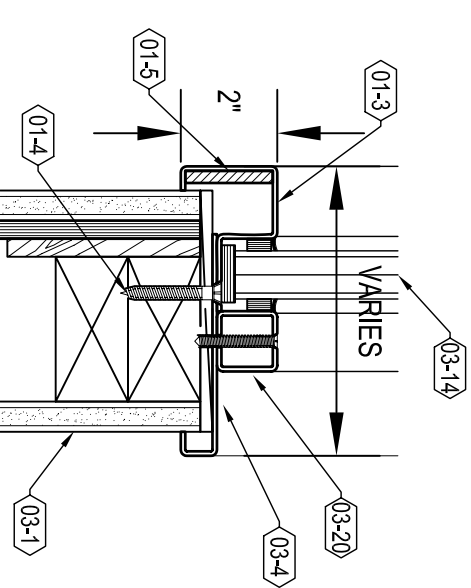
COMMENTS:



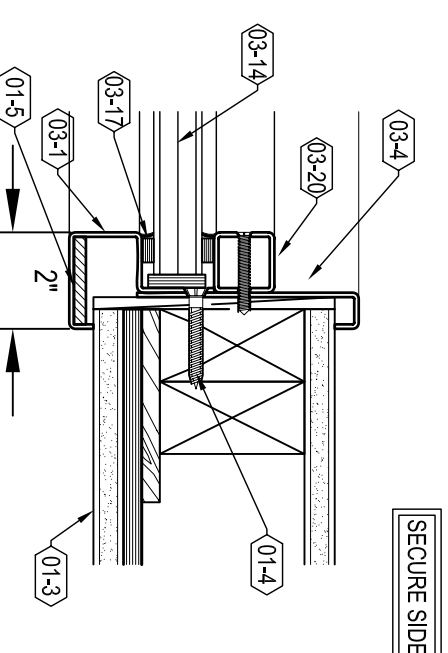
A ELEVATION/PLAN



B JAMB DETAIL 1



C SILL DETAIL



D JAMB DETAIL 2

EXVW/3-SS-CF