

**KEYNOTES:**

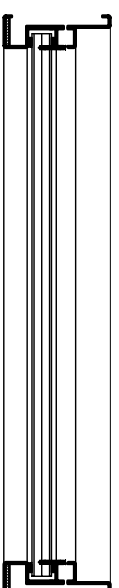
- ⓪3-1 2" x 2" CLAMP FRAME: 12 GA. STEEL, PRIMED FINISH; UL LEVEL 8
- ⓪3-4 1-1/4" x 1-1/4" REMOVABLE STOP: 12 GA. STEEL, PRIMED FINISH
- ⓪3-14 UL LEVEL 8 GLAZING
- ⓪3-17 GLAZING TAPE (SUPPLIED) AND SEALANT (BY OTHERS)
- ⓪3-20 MOUNTING SCREW
- ⓪1-3 TYPICAL WALL CONSTRUCTION (BY OTHERS)
- ⓪1-4 ANCHOR, AS REQUIRED (BY OTHERS)
- ⓪1-5 BULLET RESISTANT ARMOR; UL LEVEL 3 (WHERE REQUIRED)

**NORTH AMERICAN**  
**BULLET PROOF**  
 NABP  
 P.O. BOX 628  
 106 GUADALUPE DRIVE  
 CIBOLO TX, 78108  
 PHONE # (210) 225-0982  
 FAX # (210) 225-0984  
 WEBSITE: www.nabulleproof.com

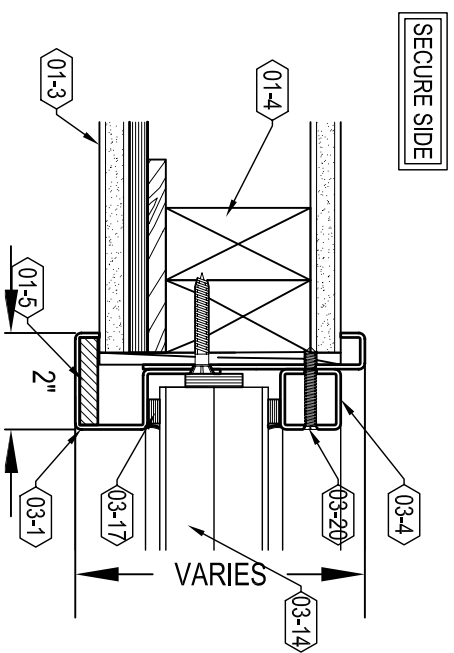
ALL RIGHTS RESERVED:

THIS DRAWING IS THE PROPERTY OF NORTH AMERICAN BULLET PROOF AND SHALL NOT BE REPRODUCED IN WHOLE OR PART. IT SHALL NOT BE USED FOR CONSTRUCTION OF OTHER THAN THE SPECIFIED PROJECT WITHOUT WRITTEN PERMISSION OF NORTH AMERICAN BULLET PROOF.

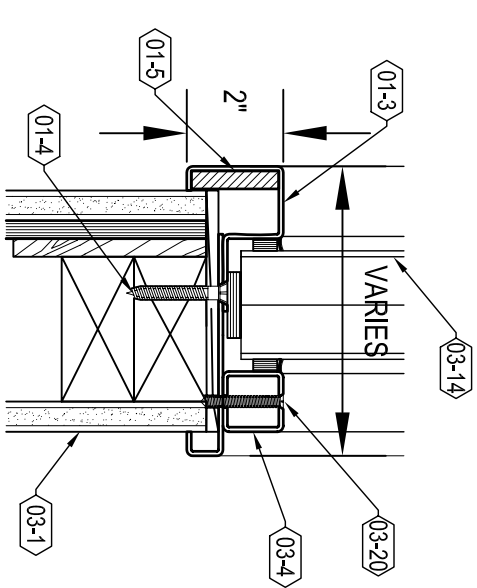
COMMENTS:



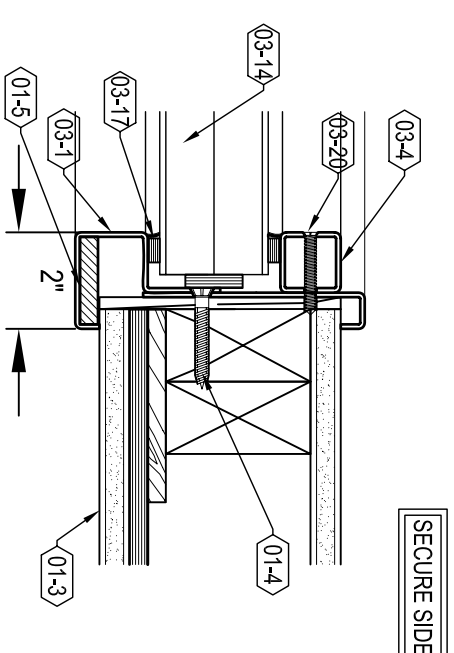
**A** ELEVATION/PLAN



**B** JAMB DETAIL 1



**C** SILL DETAIL



**D** JAMB DETAIL 2

EXVW8-P-CF