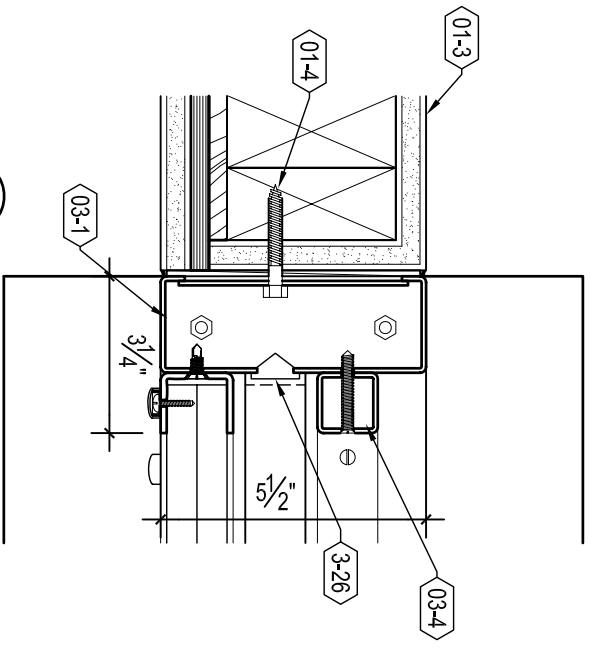


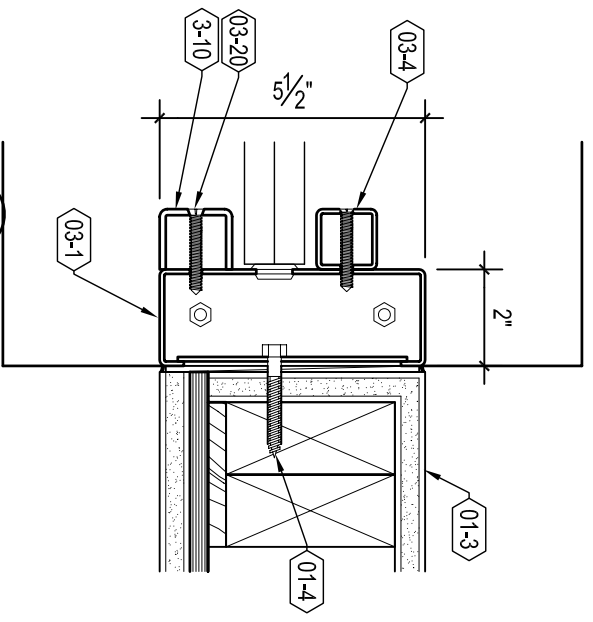
A ELEVATION/PLAN



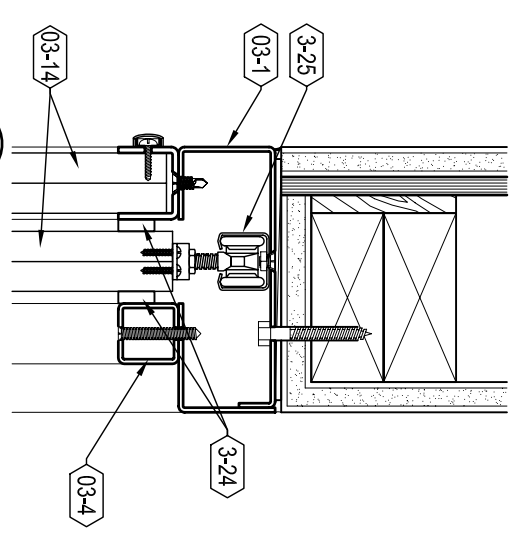
B JAMB DETAIL 1

SECURE SIDE

THREAT SIDE



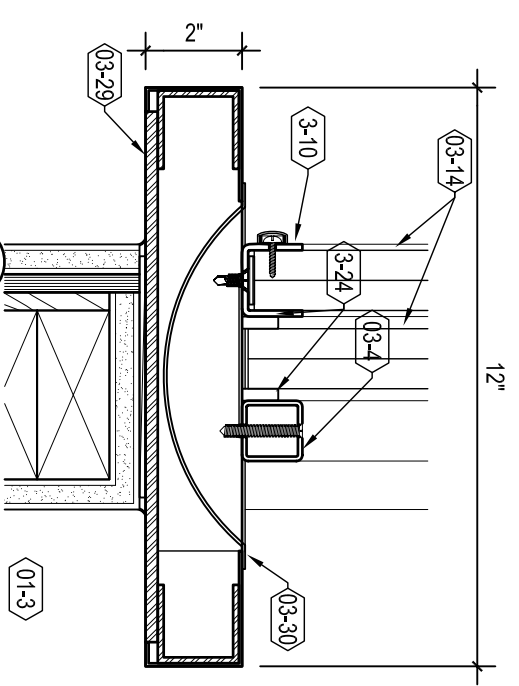
C JAMB DETAIL 2



D HEAD

THREAT SIDE

SECURE SIDE



E COUNTER DETAIL

KEYNOTES:

- 03-1 2" x 5-1/2" BOLT-IN FRAME: 14 GA. STAINLESS STEEL; UL LEVEL 1
- 03-4 1-1/4" x 1-1/4" REMOVABLE STOP: 14 GA. STAINLESS STEEL
- 03-14 UL LEVEL 1 GLAZING
- 03-10 1 1/2" x 1 1/4" STAINLESS STEEL CHANNEL
- 03-20 MOUNTING SCREW
- 03-24 3/4" POLYETHYLENE STRIP
- 03-25 TRACK & TROLLEY SYSTEM
- 03-26 RUBBER STOP
- 03-29 STAINLESS STEEL COUNTER
- 03-30 MDT-812 SERIES STAINLESS STEEL DEAL TRAY
- 01-3 TYPICAL WALL CONSTRUCTION (BY OTHERS)
- 01-4 ANCHOR, AS REQUIRED (BY OTHERS)

NORTH AMERICAN BULLET PROOF
 NABP
 P.O. BOX 628
 106 GUADALUPE DRIVE
 CIBOLO TX, 78108
 PHONE # (210) 225-0982
 FAX # (210) 225-0984
 WEBSITE: www.nabulitproof.com

ALL RIGHTS RESERVED.

THIS DRAWING IS THE PROPERTY OF NORTH AMERICAN BULLET PROOF AND SHALL NOT BE REPRODUCED IN WHOLE OR PART. IT SHALL NOT BE USED FOR CONSTRUCTION OF OTHER THAN THE SPECIFIED PROJECT WITHOUT WRITTEN PERMISSION OF NORTH AMERICAN BULLET PROOF.

COMMENTS:

SLTW1-SS-BF-SS