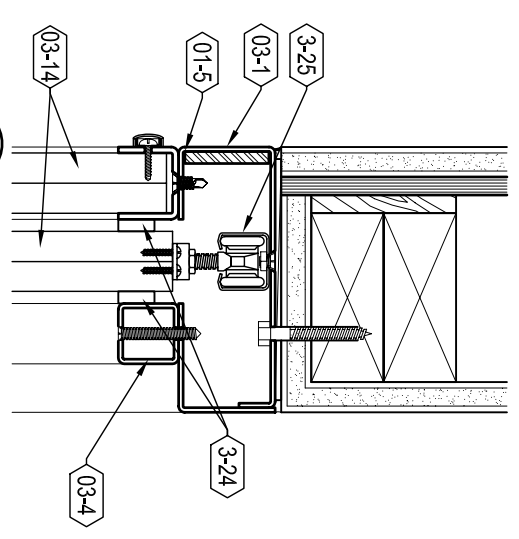


A ELEVATION/PLAN

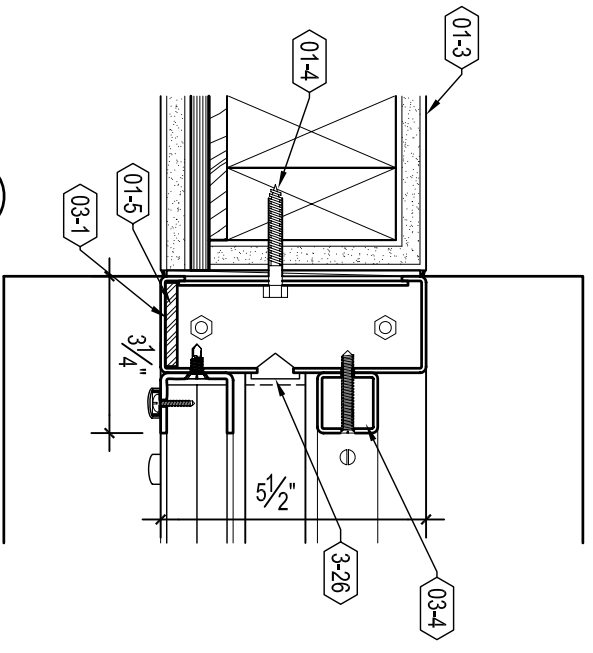
- KEYNOTES:**
- 03-1 2" x 5-1/2" BOLT-IN FRAME: 14 GA. STAINLESS STEEL; UL LEVEL 3
 - 03-4 1-1/4" x 1-1/4" REMOVABLE STOP: 14 GA. STAINLESS STEEL
 - 03-14 UL LEVEL 3 GLAZING
 - 03-10 1 1/2" x 1 1/4" STAINLESS STEEL CHANNEL
 - 03-20 MOUNTING SCREW
 - 03-24 3/4" POLYETHYLENE STRIP
 - 03-25 TRACK & TROLLEY SYSTEM
 - 03-26 RUBBER STOP
 - 03-29 STAINLESS STEEL COUNTER
 - 03-30 MDT-812 SERIES STAINLESS STEEL DEAL TRAY
 - 01-3 TYPICAL WALL CONSTRUCTION (BY OTHERS)
 - 01-4 ANCHOR, AS REQUIRED (BY OTHERS)
 - 01-5 BULLET-RESISTANT ARMOR, UL LEVEL 3



D HEAD

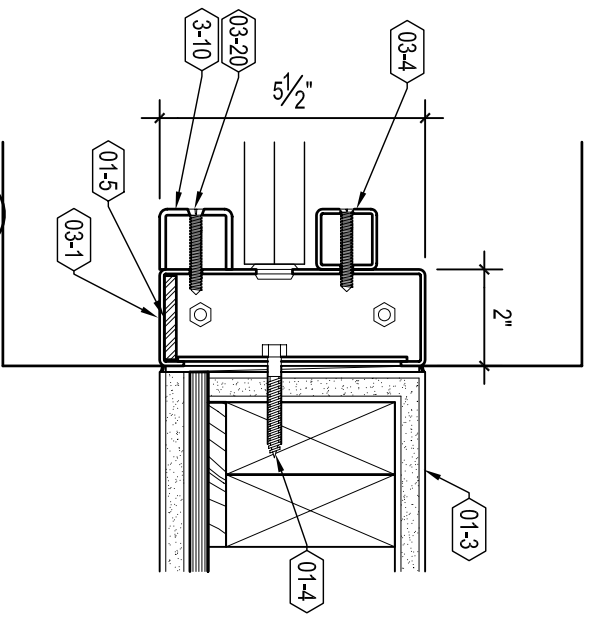
THREAT SIDE

SECURE SIDE

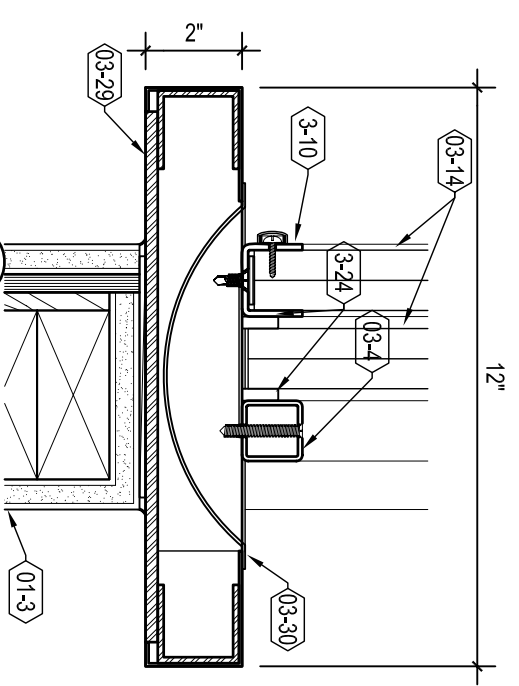


B JAMB DETAIL 1

THREAT SIDE



C JAMB DETAIL 2



E COUNTER DETAIL

THREAT SIDE

SECURE SIDE

NORTH AMERICAN
BULLET PROOF
NABP
P.O. BOX 628
106 GUADALUPE DRIVE
CIBOLO TX, 78108
PHONE # (210) 225-0982
FAX # (210) 225-0984
WEBSITE: www.nabulitproof.com

ALL RIGHTS RESERVED:
THIS DRAWING IS THE PROPERTY OF NORTH AMERICAN BULLET PROOF AND SHALL NOT BE REPRODUCED IN WHOLE OR PART. IT SHALL NOT BE USED FOR CONSTRUCTION OF OTHER THAN THE SPECIFIED PROJECT WITHOUT WRITTEN PERMISSION OF NORTH AMERICAN BULLET PROOF.

COMMENTS:

SLTW3-SS-BF-SS