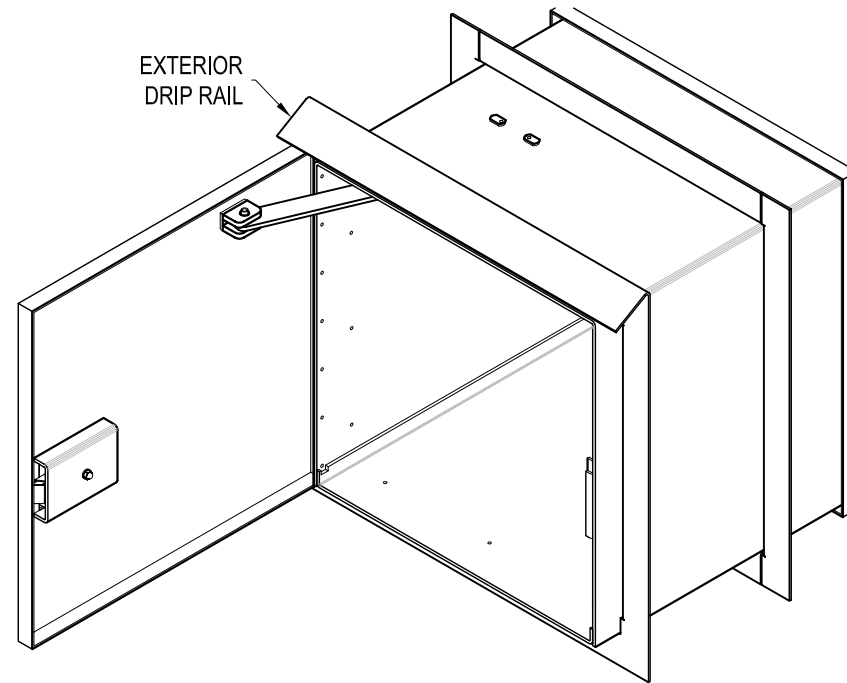


ALL RIGHTS RESERVED:

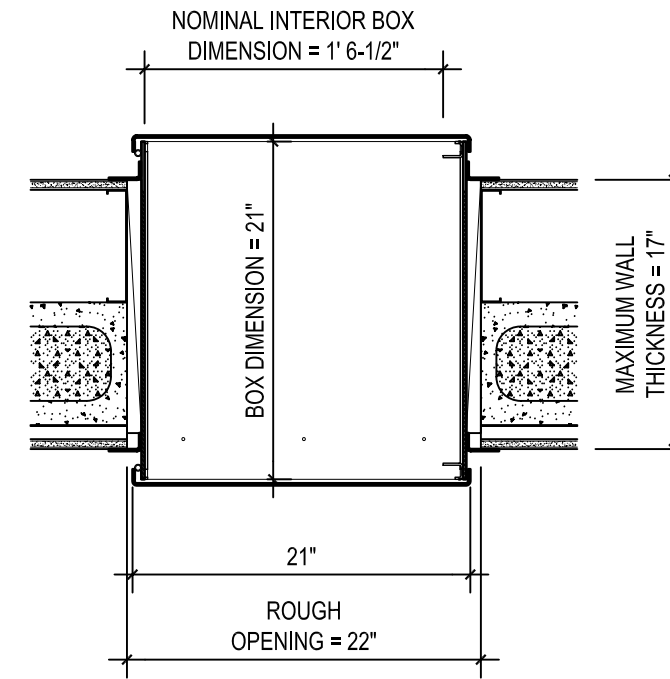
THIS DRAWING IS THE PROPERTY OF NORTH AMERICAN BULLET PROOF AND SHALL NOT BE REPRODUCED IN WHOLE OR PART. IT SHALL NOT BE USED FOR CONSTRUCTION OF OTHER THAN THE SPECIFIED PROJECT WITHOUT WRITTEN PERMISSION OF NORTH AMERICAN BULLET PROOF.

COMMENTS:

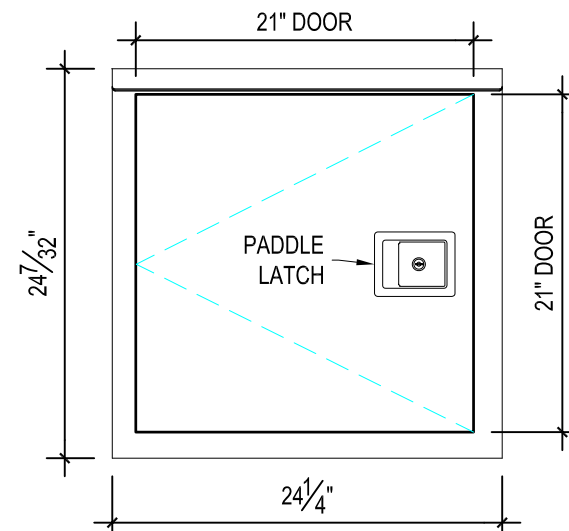
DOOR FINISH CODES	
<input type="checkbox"/>	PP - PRIME EXT./PRIME INT.
<input type="checkbox"/>	ES - STAINLESS EXT./ PRIME INT.
<input type="checkbox"/>	SS - STAINLESS EXT./STAINLESS INT.
THREAT LEVEL	
<input type="checkbox"/>	LEVEL 1
<input type="checkbox"/>	LEVEL 3
LATCH OPTIONS	
<input type="checkbox"/>	KEY LATCH (EXT.)
<input type="checkbox"/>	KEY LATCH (INT.)
DOOR SWING	
<input type="checkbox"/>	LHR EXTERIOR DOOR SWING
<input type="checkbox"/>	RHR EXTERIOR DOOR SWING
PACKAGE RECEIVER SIZE	
SP212121 PACKAGE RECEIVER OUTSIDE: 21" W x 21" H x 21" D INSIDE CLEAR: 18-1/2" W x 18-1/8" H x 18-1/2" D MASONRY OPENING: 22" W x 22" H x 17" MAX WALL	



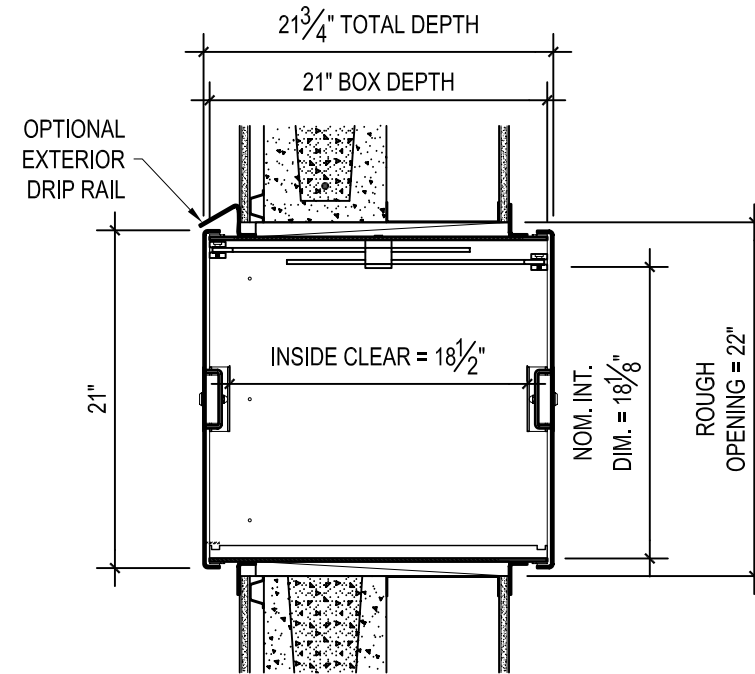
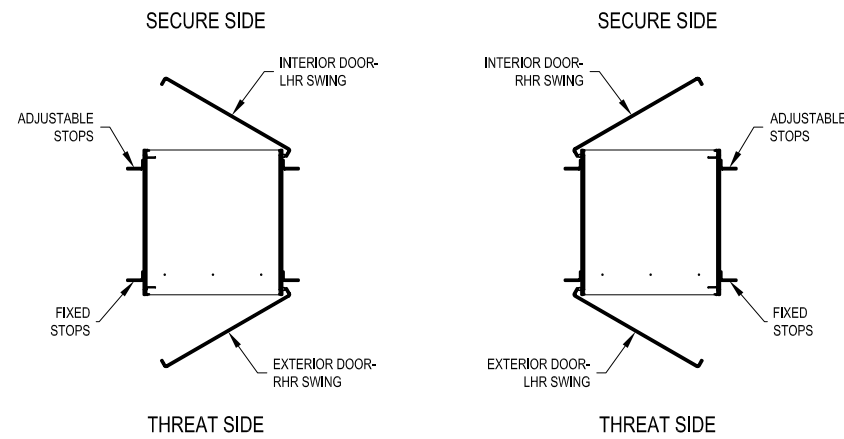
A ISOMETRIC VIEW



C HORIZONTAL SECTION



B EXTERIOR ELEVATION



D VERTICAL SECTION