

NABP
P.O BOX 628
106 GUADALUPE DRIVE
CIBOLO TX, 78108
PHONE # (210) 225-0982
FAX # (210) 225-0984
WEBSITE: www.nabulletproof.com

ALL RIGHTS RESERVED:

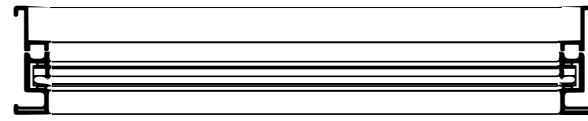
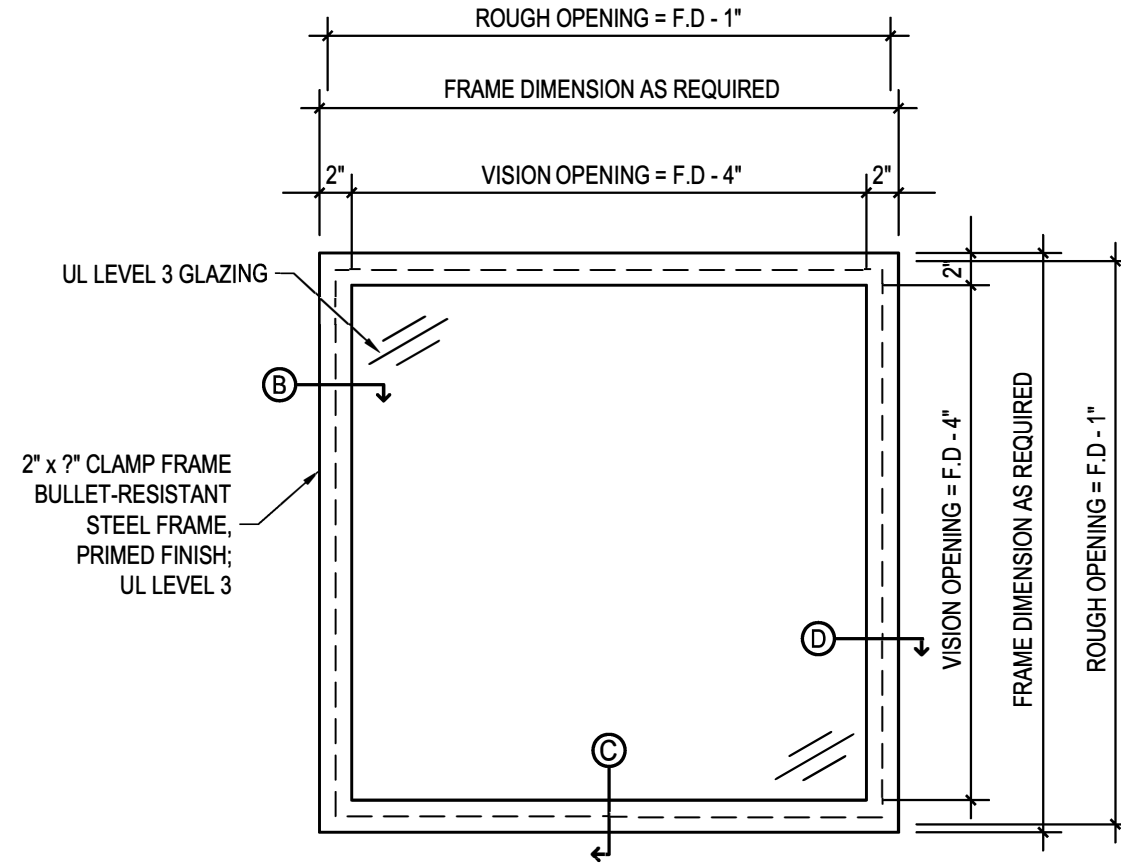
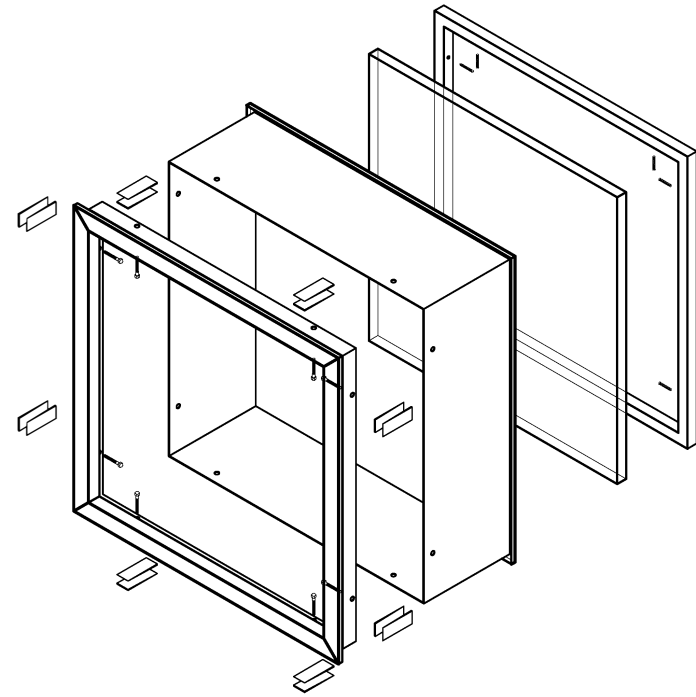
THIS DRAWING IS THE PROPERTY OF NORTH AMERICAN BULLET PROOF AND SHALL NOT BE REPRODUCED IN WHOLE OR PART. IT SHALL NOT BE USED FOR CONSTRUCTION OF OTHER THAN THE SPECIFIED PROJECT WITHOUT WRITTEN PERMISSION OF NORTH AMERICAN BULLET PROOF.

COMMENTS:

EXVW3-P-CF

KEYNOTES:

- ①03-1 2" x 2" CLAMP FRAME: 12 GA. STEEL, PRIMED FINISH; UL LEVEL 3
- ①03-4 1-1/4" x 1-1/4" REMOVABLE STOP: 12 GA. STEEL, PRIMED FINISH
- ①03-14 UL LEVEL 3 GLAZING
- ①03-17 GLAZING TAPE (SUPPLIED) AND SEALANT (BY OTHERS)
- ①03-20 MOUNTING SCREW
- ①01-3 TYPICAL WALL CONSTRUCTION (BY OTHERS)
- ①01-4 ANCHOR, AS REQUIRED (BY OTHERS)
- ①01-5 BULLET RESISTANT ARMOR; UL LEVEL 3 (WHERE REQUIRED)



A ELEVATION/PLAN

