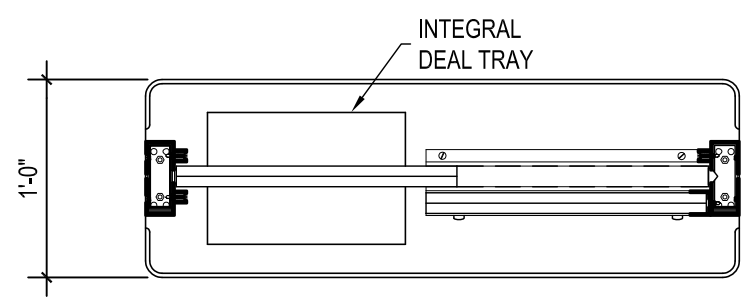


**A** ELEVATION  
SCALE 1" = 1'-0"

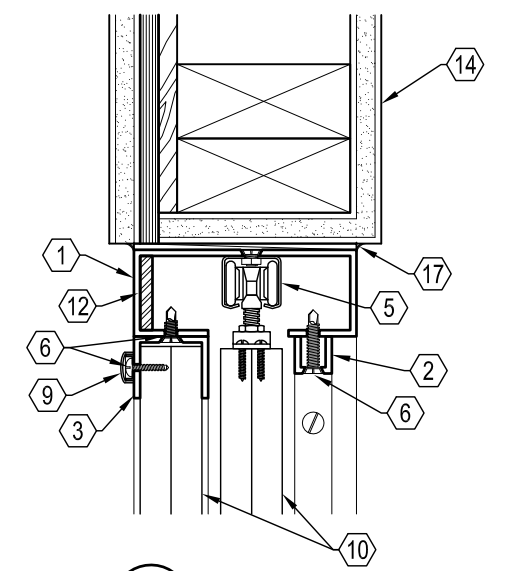
SECURE SIDE



**B** HORIZONTAL SECTION  
SCALE 1" = 1'-0"

THREAT SIDE

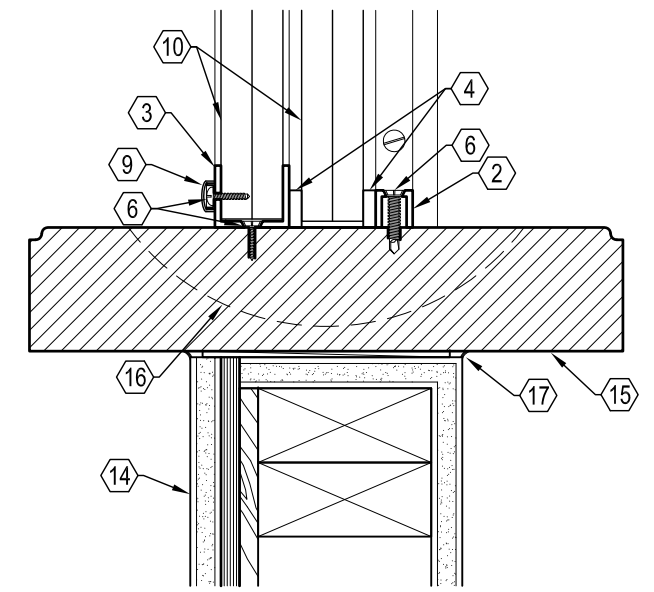
- ① 1-3/4" x 4-1/2" ALUMINUM FRAME: CLEAR ANODIZED
- ② 3/4" x 3/4" ALUMINUM CHANNEL: CLEAR ANODIZED
- ③ 1-1/2" x 1-1/4" ALUMINUM CHANNEL: CLEAR ANODIZED
- ④ 1/4" x 3/4" POLYETHYLENE STRIP
- ⑤ TRACK & TROLLEY SYSTEM
- ⑥ MOUNTING SCREW
- ⑦ DECORATIVE ANCHOR-HOLE PLUG
- ⑧ RUBBER STOP
- ⑨ 2-PIECE DECORATIVE CAP, TO MATCH FRAME
- ⑩ BULLET-RESISTANT PLASTIC GLAZING, PERFORMANCE LEVEL 3
- ⑪ 1-1/2" x 2" x 1/8" STEEL MOUNTING BRACKET WITH THRU-BOLTS
- ⑫ BULLET-RESISTANT STEEL, PERFORMANCE LEVEL 3
- ⑬ ANCHOR, AS REQUIRED (BY OTHERS)
- ⑭ WALL CONSTRUCTION (BY OTHERS)
- ⑮ CORIAN® COUNTER: COLOR SELECTION
- ⑯ INTEGRAL DEAL TRAY
- ⑰ PLASTIC SHIMS (SUPPLIED) AND SEALANT (BY OTHERS)



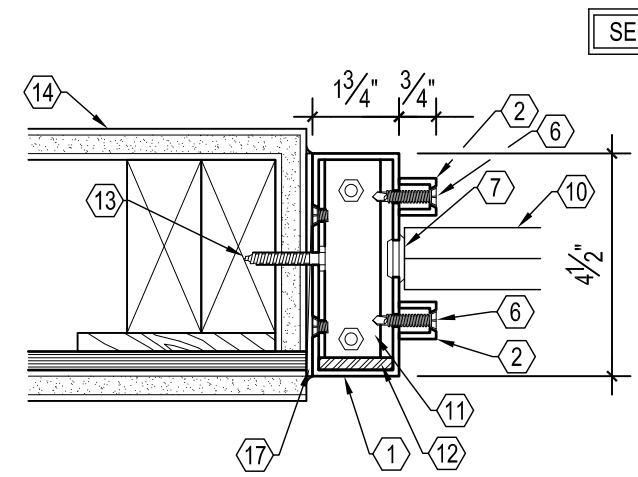
**E** HEAD DETAIL  
SCALE 3" = 1'-0"

THREAT SIDE

SECURE SIDE

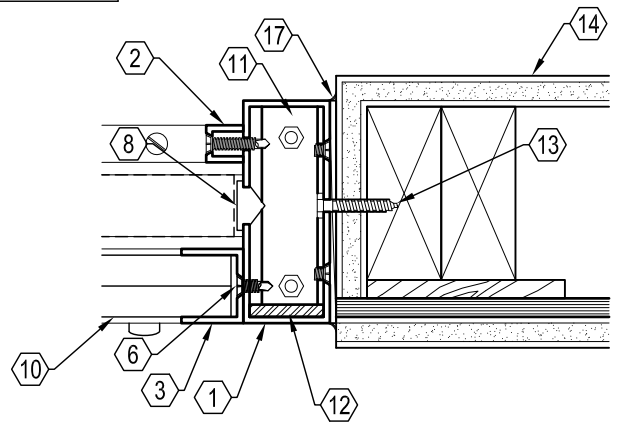


**F** SILL DETAIL  
SCALE 3" = 1'-0"



**C** JAMB DETAIL 1  
SCALE 3" = 1'-0"

SECURE SIDE



**D** JAMB DETAIL 2  
SCALE 3" = 1'-0"

THREAT SIDE

SLTW 3636 WITH COUNTER

**NORTH AMERICAN BULLET PROOF**  
PHONE (210) 225-0982 FAX (210) 225-0984

SCALE: AS SPECIFIED ABOVE  
DRAWN BY: S. Tarrant  
PRODUCT: SLTW  
DWG NAME: 04-549-S1.dwg

TOTAL UNITS: FOUR (4)  
P.O. NO.: 01-43498

DATE: 12/9/2004  
JOB NO.: 04-549

ALL RIGHTS RESERVED:  
THIS DRAWING IS THE PROPERTY OF NORTH AMERICAN BULLET PROOF AND SHALL NOT BE REPRODUCED IN WHOLE OR PART. IT SHALL NOT BE USED FOR CONSTRUCTION OF OTHER THAN THE SPECIFIED PROJECT WITHOUT WRITTEN PERMISSION OF NORTH AMERICAN BULLET PROOF.