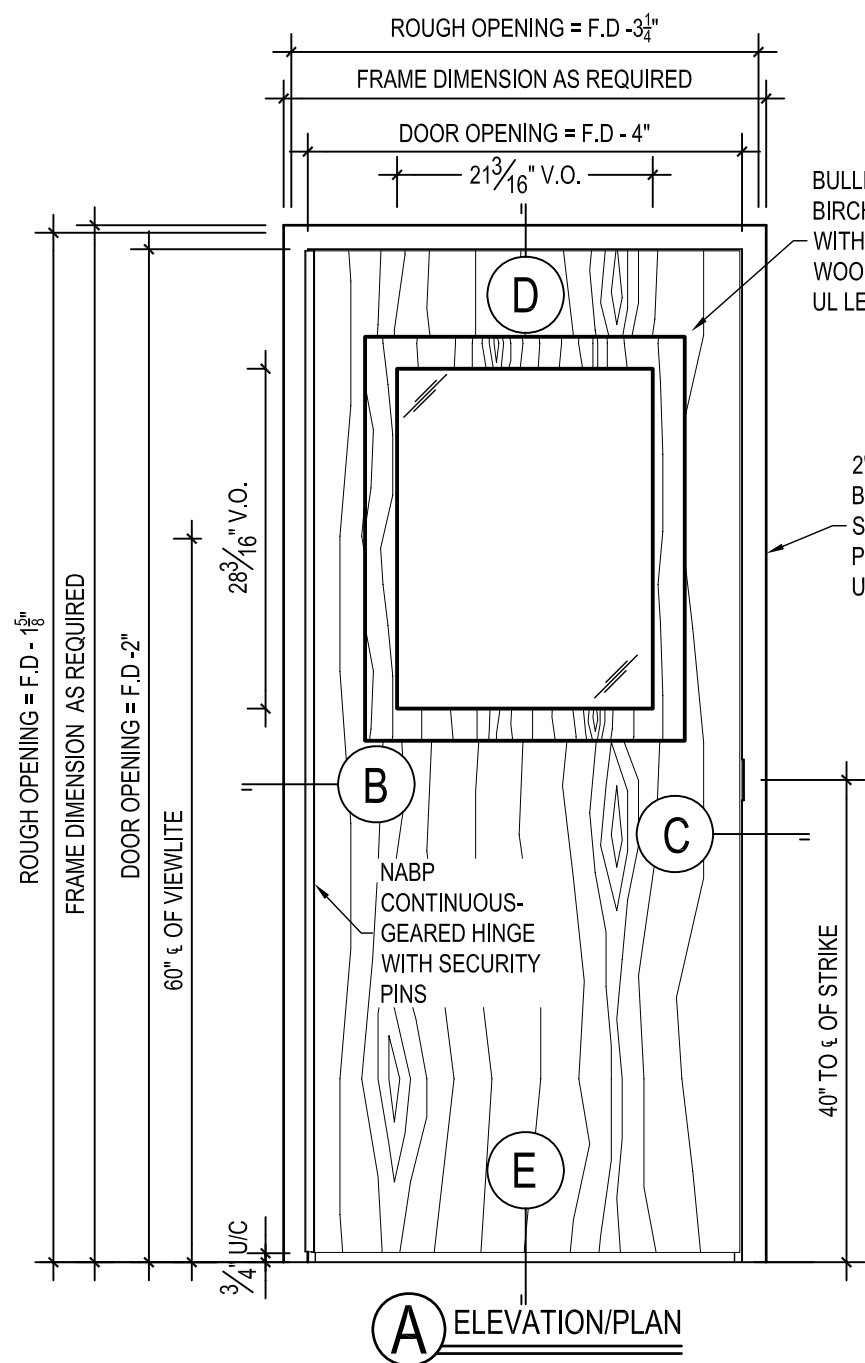
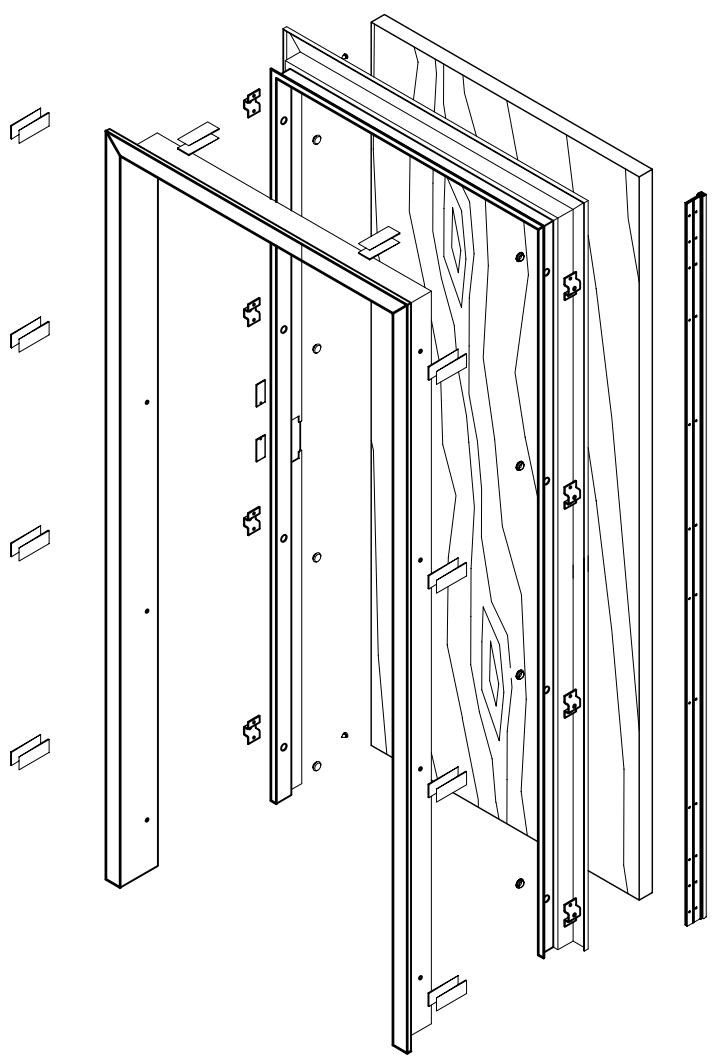


ALL RIGHTS RESERVED:  
  
THIS DRAWING IS THE PROPERTY OF NORTH AMERICAN BULLET PROOF AND SHALL NOT BE REPRODUCED IN WHOLE OR PART. IT SHALL NOT BE USED FOR CONSTRUCTION OF OTHER THAN THE SPECIFIED PROJECT WITHOUT WRITTEN PERMISSION OF NORTH AMERICAN BULLET PROOF.

COMMENTS:



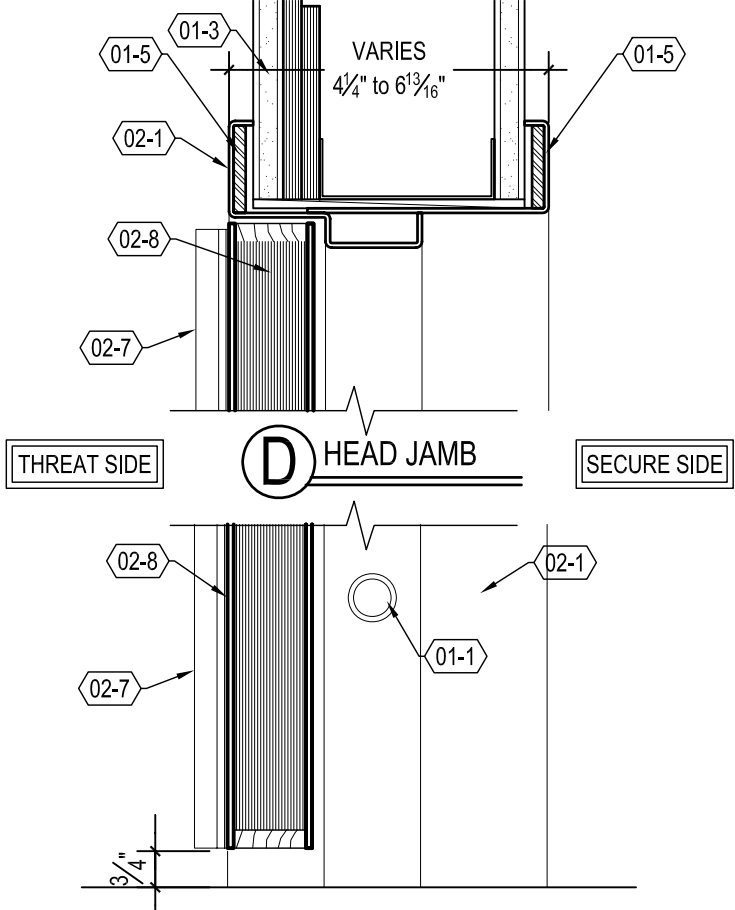
BULLET-RESISTANT BIRCH OR RED OAK WITH 22X29 VIEWLITE WOOD DOOR, UL LEVEL 8

2" x 2" CLAMP FRAME BULLET-RESISTANT STEEL FRAME, PRIMED FINISH; UL LEVEL 8

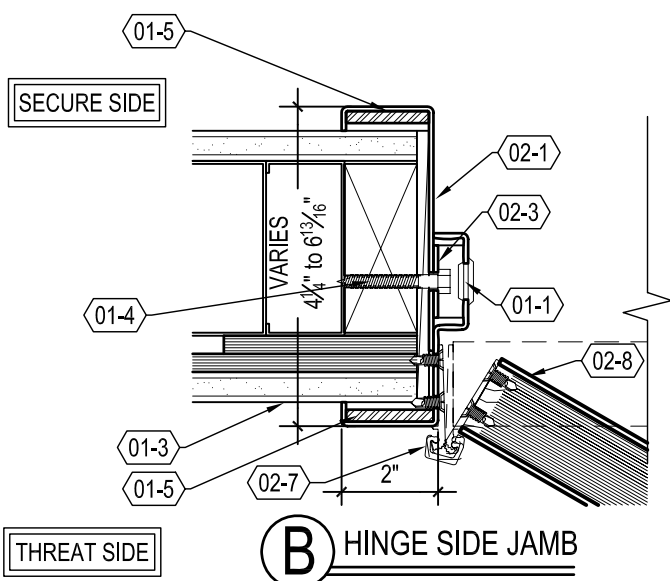
**A** ELEVATION/PLAN

**KEYNOTES:**

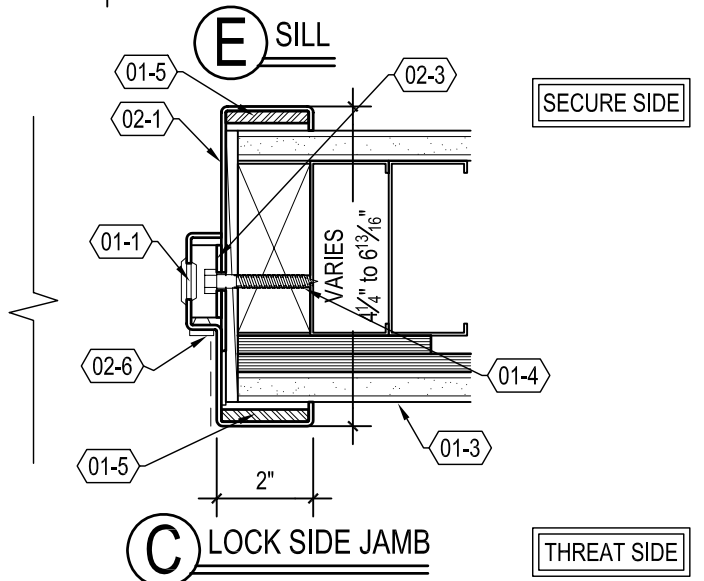
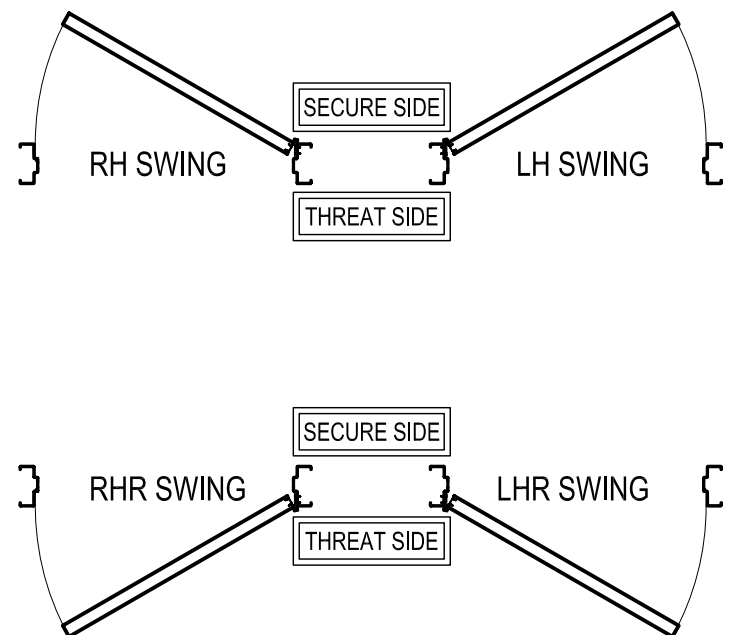
- (02-1) 2" x ??? CLAMP DOORFRAME: 12 GA. STEEL, PRIMED FINISH; UL LEVEL 8
- (02-3) 12 GA. STEEL ANCHOR PLATE
- (02-7) CONTINUOUS -GEAR HINGE WITH SECURITY PINS
- (02-8) BULLET-RESISTANT UNFINISHED BIRCH OR RED OAK VENEERED WOOD DOOR WITH 22X29 VIEWLITE, UL LEVEL 8
- (01-1) DECORATIVE ANCHOR-HOLE PLUG
- (01-3) TYPICAL WALL CONSTRUCTION (BY OTHERS)
- (01-4) ANCHOR, AS REQUIRED (BY OTHERS)
- (01-5) BULLET RESISTANT ARMOR, UL LEVEL 8 (WHERE REQUIRED)



**D** HEAD JAMB



**B** HINGE SIDE JAMB



**C** LOCK SIDE JAMB